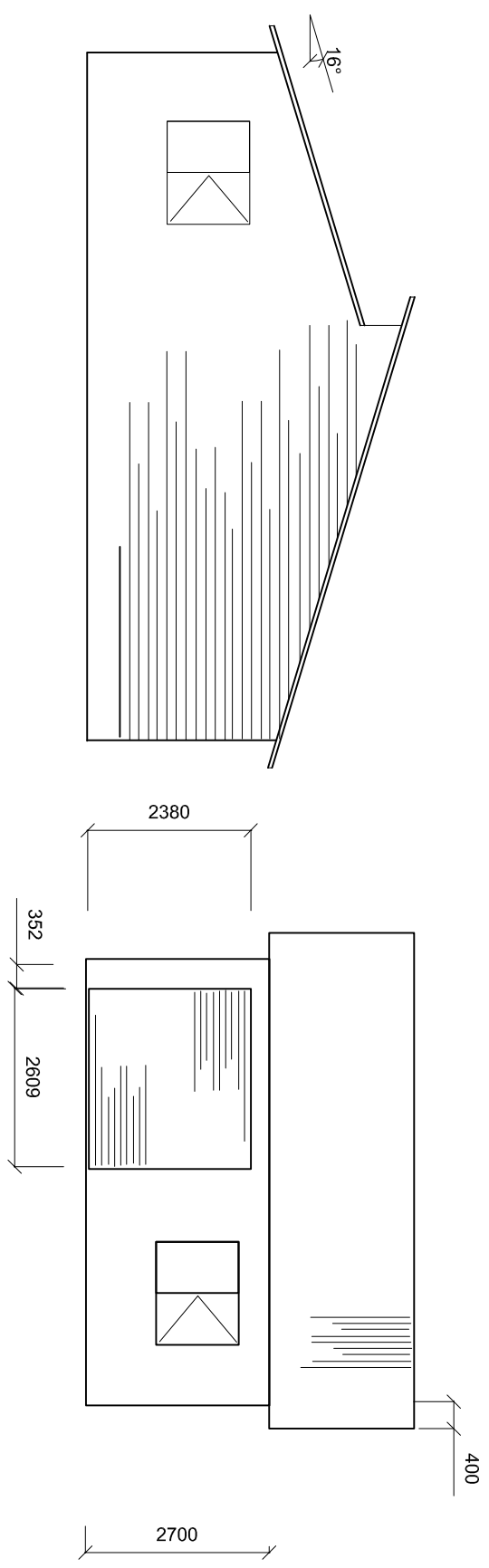
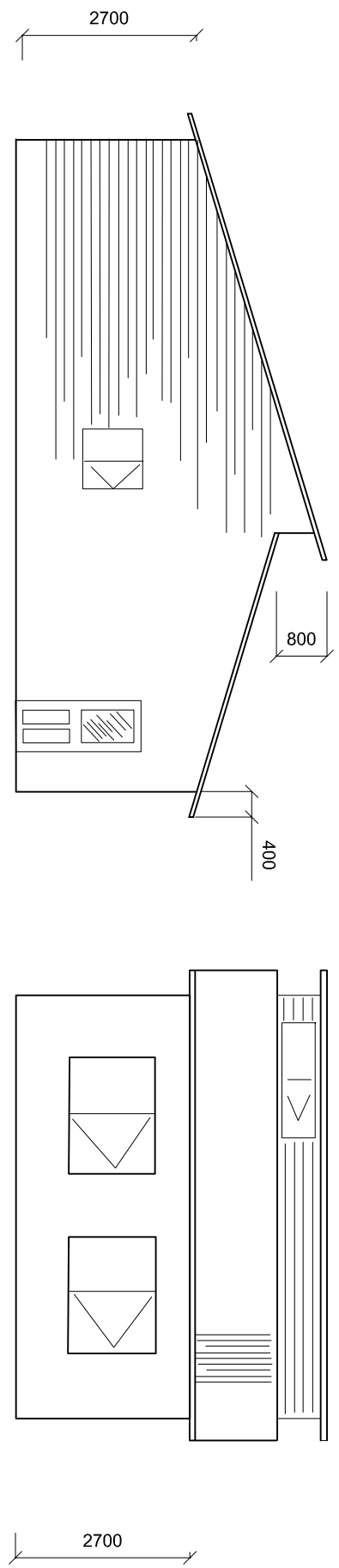


N3

Area- 65 m²
 Roof Pitch- 16 deg
 External walls- 1m
 Internal walls- 1m
 Glazing - m²

- Weatherboard cladding to all external walls fixed as per manufacturers specifications fibre cement sheeting under side of verandah's
- Written dimensions take precedence over scale
- All internal dimensions stated are frame size - exc linings
- R2.5 insulation batts to ceiling space and gable walls
- R.B.M to entire Roof area and external walls



Window and external door Schedule

Aluminium Windows

Height	Width	Description	QTY

2700 High Walls
 Treated Pine framing
 Studs @ 450 CRS
 Rafter @ 600 crs

Written dimensions take precedence over scale

All internal dimensions stated are frame size - exc linings

No.	Revision/Issue	Date

John Burke
 mob 0414701578

Drawn by John burke	Sheet 1 of 2
Date 14/1/14	
Scale 1:100	

